
	Aperio Hub 1:8 RS485			
			Teknisk vejledning	Revision 1

Aperio Hub 1:8 RS485

 ASSA ABLOY	Aperio Hub 1:8 RS485			
			Teknisk vejledning	Revision 1

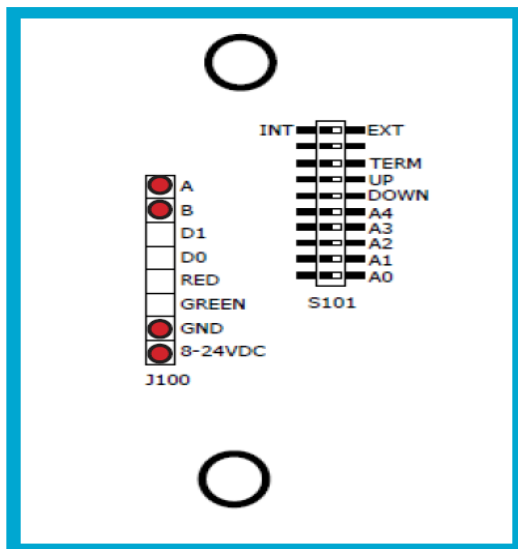
Indholdsfortegnelse

Placering af Hub.....	3
Forbindelser.....	3
DIP Switch.....	4
Forbindelse RS485	5
Adressering.....	6
LED indikationer fra Hub	7
Tekniske data.....	7

Placering af Hub



Forbindelser



HUB CONNECTOR	DESCRIPTION
A	RS485 Data A.
B	RS485 Data B.
GND	GND = Signal ground. Should be connected to EAC system GND and power supply GND.
8-24 VDC	8-24 VDC power supply.

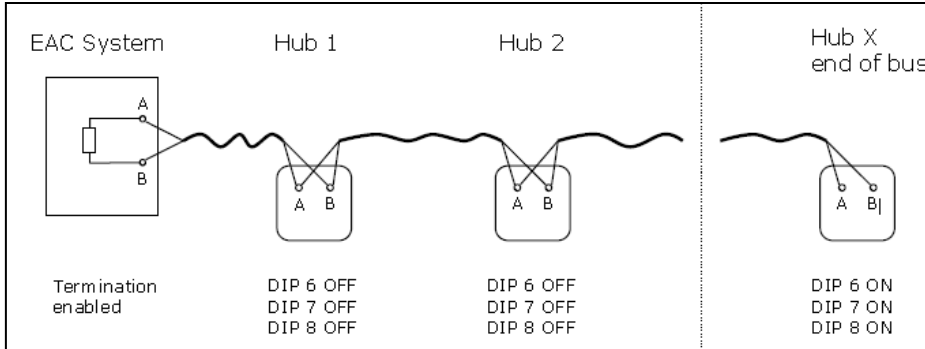
DIP Switch

DIP SWITCH NUMBER	LABEL	DESCRIPTION
1-4	A0-A3	Controls RS485 addressing BIT 0-BIT 3. ON ⇒ Address bit set. OFF ⇒ Address bit NOT set. See AH30 - RS485 Addressing Reference on page 13.
5	A4	Not used.
6	DOWN	Controls use of RS485 pull down resistor. ON ⇒ 620 Ohm pull down connected/ enabled. OFF ⇒ 620 Ohm pull down disconnected/ disabled.
7	UP	Controls use of RS485 and pull up resistor. ON ⇒ 620 Ohm pull up connected/enabled. OFF ⇒ 620 Ohm pull up disconnected/ disabled.
8	TERM	Controls use of termination resistor between RS485 A and RS485 B. ON ⇒ 100 Ohm termination resistor connected/enabled. OFF ⇒ 100 Ohm termination resistor disconnected/disabled.
9		Not used.
10	INT/EXT	Controls use of external antenna if required. ON ⇒ Selects use of internal antenna. OFF ⇒ Selects use of external antenna.

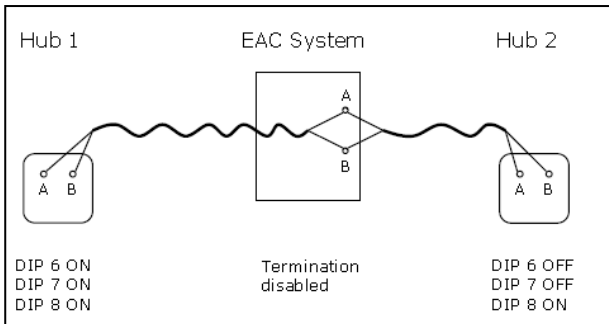
Forbindelse RS485

Nedenfor er der vist to eksempler på hvordan Hub's tilsluttes til ADK systemet:

Eksempel 1



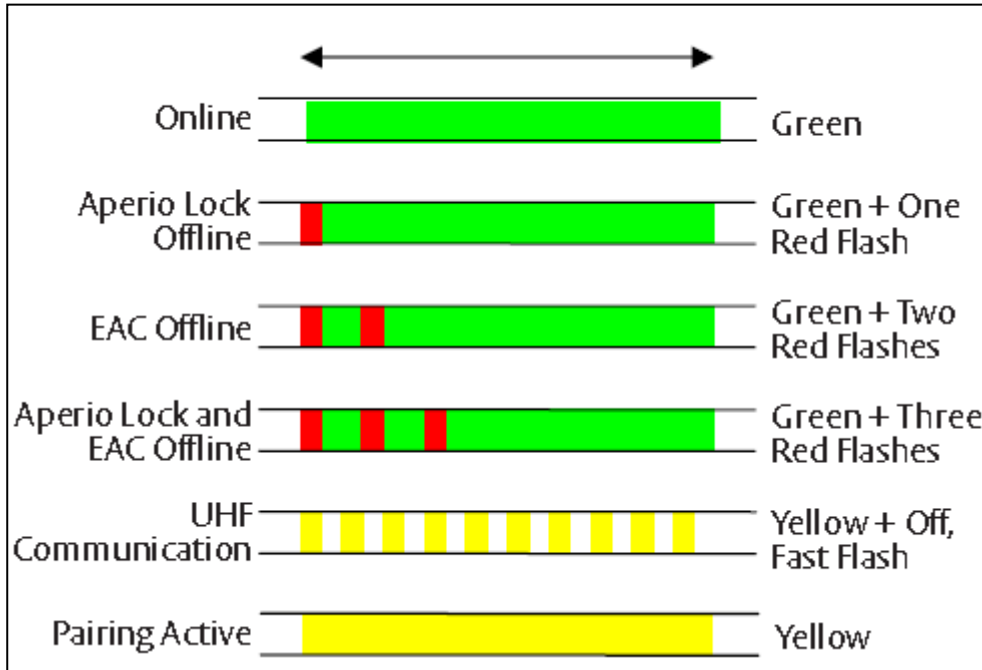
Eksempel 2



Adressering

ADDRESS	A0	A1	A2	A3
0	Pairing Active			
1	ON			
2		ON		
3	ON	ON		
4			ON	
5	ON		ON	
6		ON	ON	
7	ON	ON	ON	
8				ON
9	ON			ON
10		ON		ON
11	ON	ON		ON
12			ON	ON
13	ON		ON	ON
14		ON	ON	ON
15	ON	ON	ON	ON

LED indikationer fra Hub



Tekniske data

Hub 1:8	
Spænding	8-24VDC
Strømforbrug	80 mA ved 12V
Kommunikationsstandard	RS485
Antal læsere pr. hub	8
Afstand mellem hub og læser	15-25 meter
Dimensioner (H x B x D)	81 x 81 x 37 mm